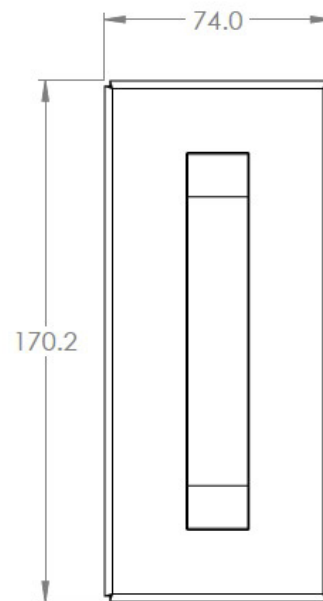
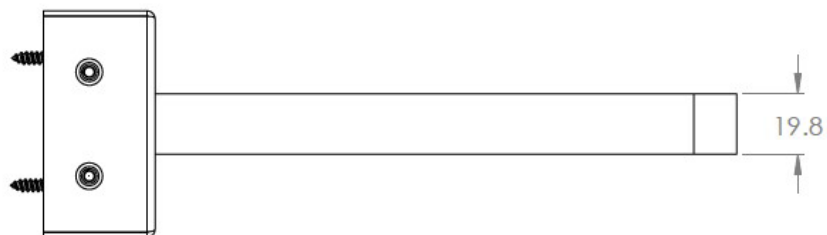
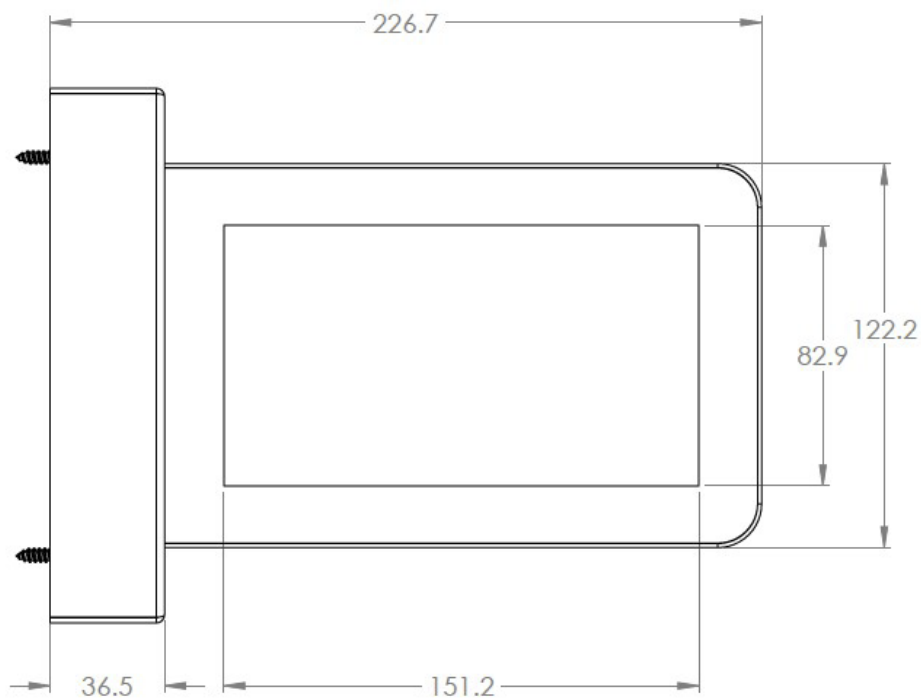


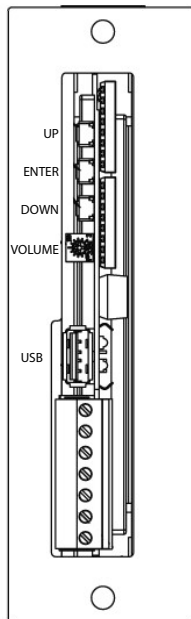
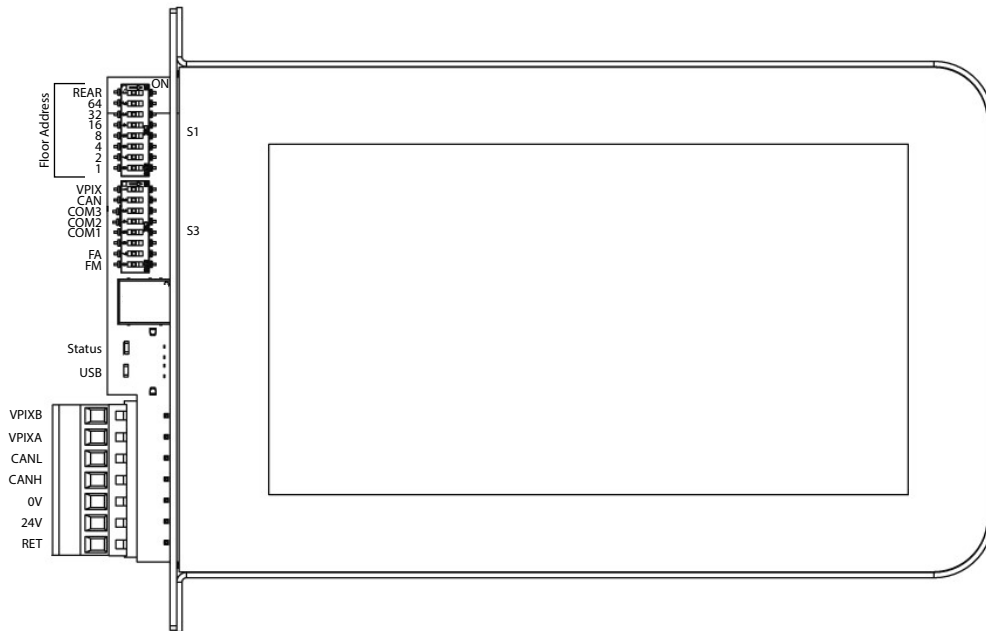
L70X1 – CANBus + vPixel 7” Lift cabin identification

Installation manual

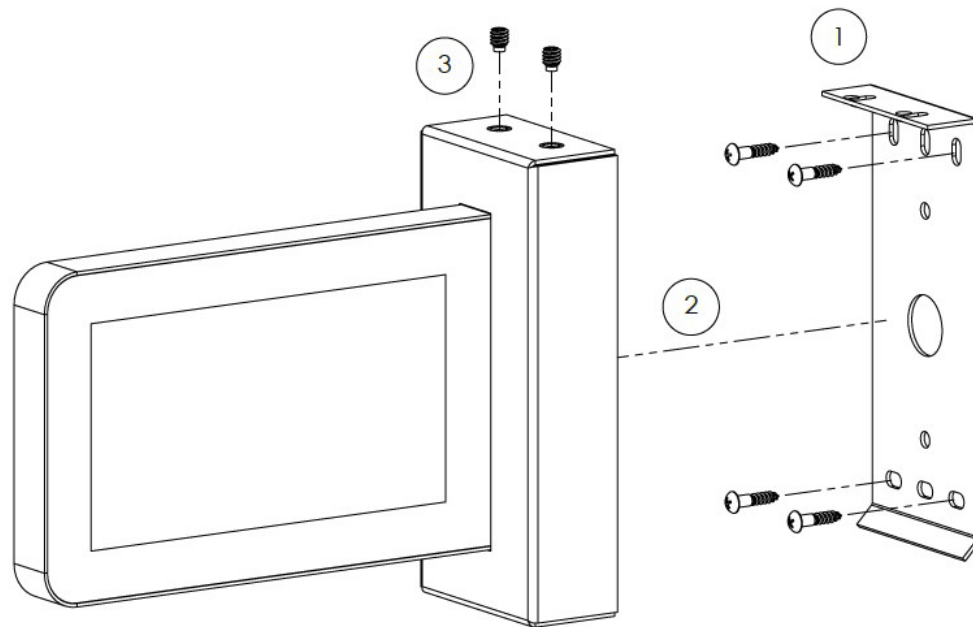
- Dimensions (mm):



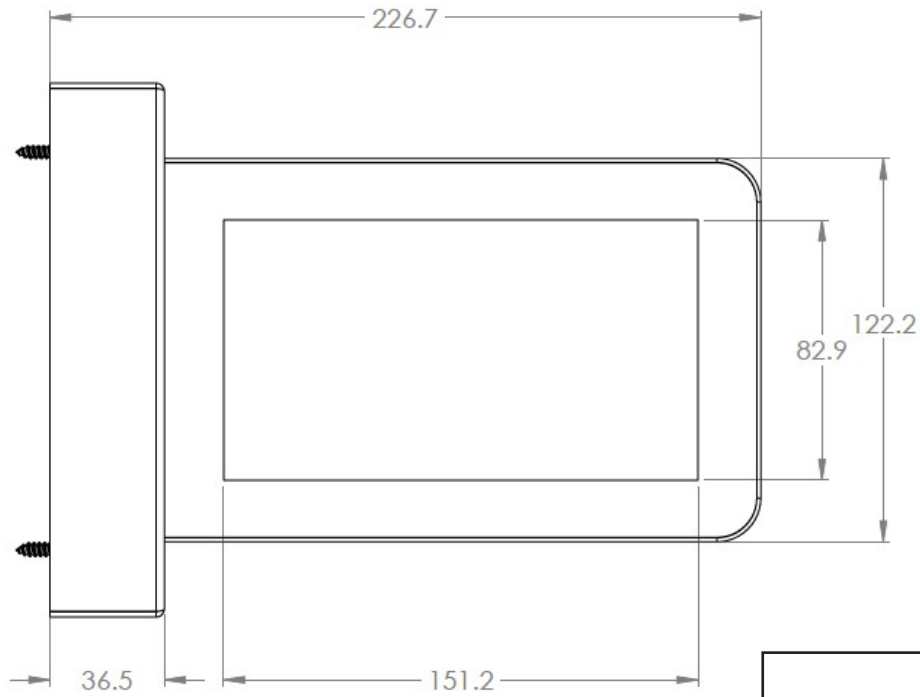
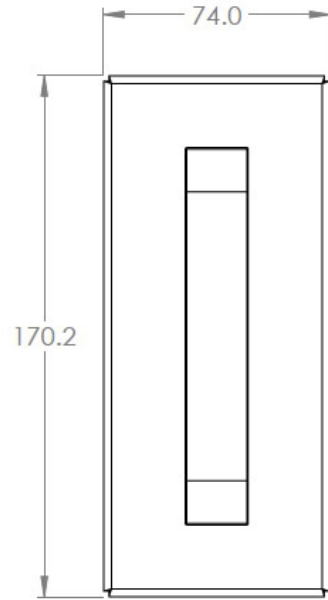
• Dimensions (mm):



• Installation steps:



1. Mount the wall bracket and level it.
2. Connect the wires properly, then position the casing on the wall support.
3. Secure the casing with the 2 screws provided.



	Title: Lift cabin identification L70XX		Unit: MM	
	Tolerance:	Material:	Finish:	
		Scale:	No. piece:	Date: 2022-04-05
	Angular:	Rev:	Name:	Page: 1/1