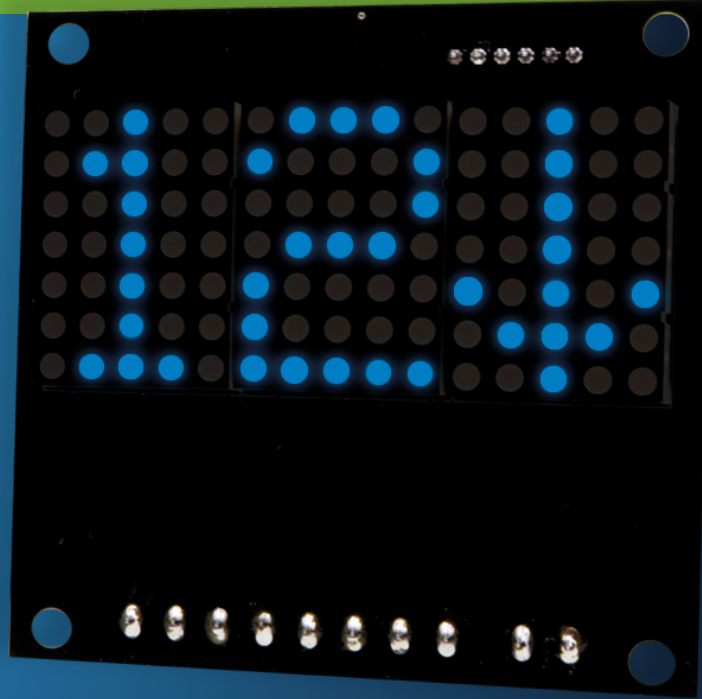


SPARK S12X0-3X

1.2" Mini Dot Matrix position indicators



Applications

Car-OP position indicator
Hall position indicator



Display features

15 x 7 Matrix
Available in blue and red
Automatic centering
Up to 3 Digits
Optional scrolling mode
Landscape/Portrait



917 Mgr Grandin, Suite 304B
Quebec City
Québec, Canada
G1V 3X8
1 418 476-4802
info@vidatech.ca

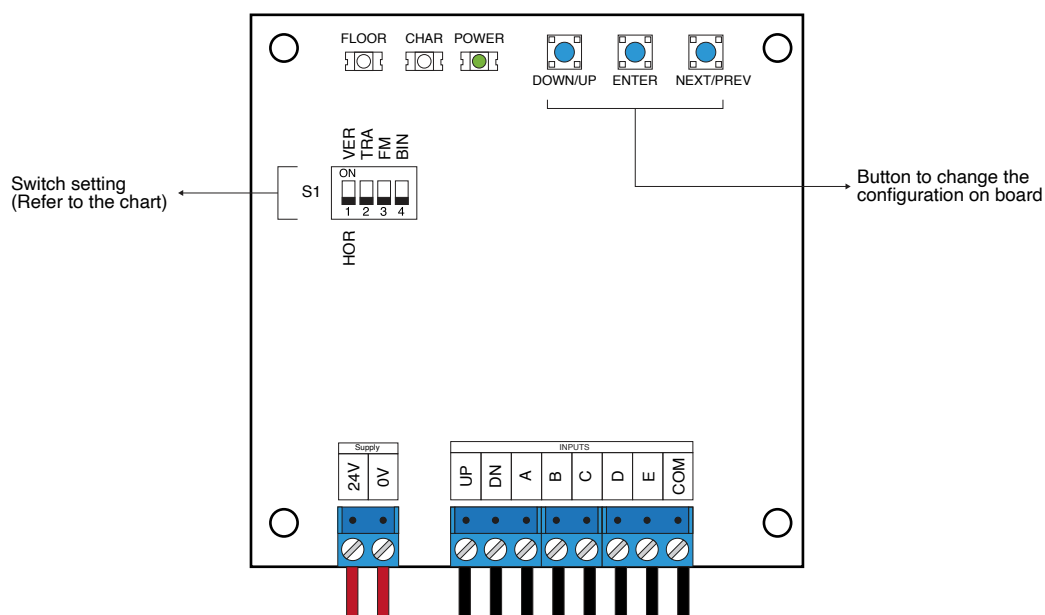
TO ORDER :

S12X0-3X

Input
"0" : Discrete
"2" : CANBus + vPixel

Color
"R" : Red
"B" : Blue

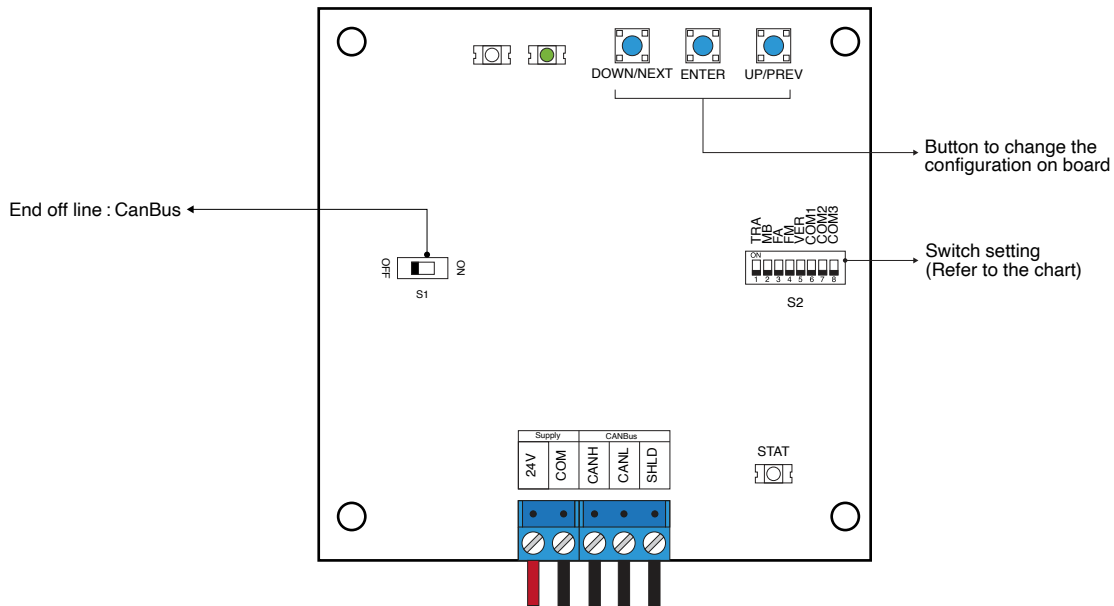
S1200-3X – Binary input mini position indicator



- Supply must be between 16VDC to 30VDC.
- To edit the configuration of the floors on board:
 1. Press the ENTER button.
 2. Press NEXT/PREV to select the floor to modify.
 3. Press ENTER to confirm the floor to modify.
 4. Press UP/DOWN to select the right character to display.
 5. Press ENTER to confirm the new character.
 6. Repeat the two previous step for the second and third character. Once completed, the indicator will show OK and return to normal mode.
- Switch setting :

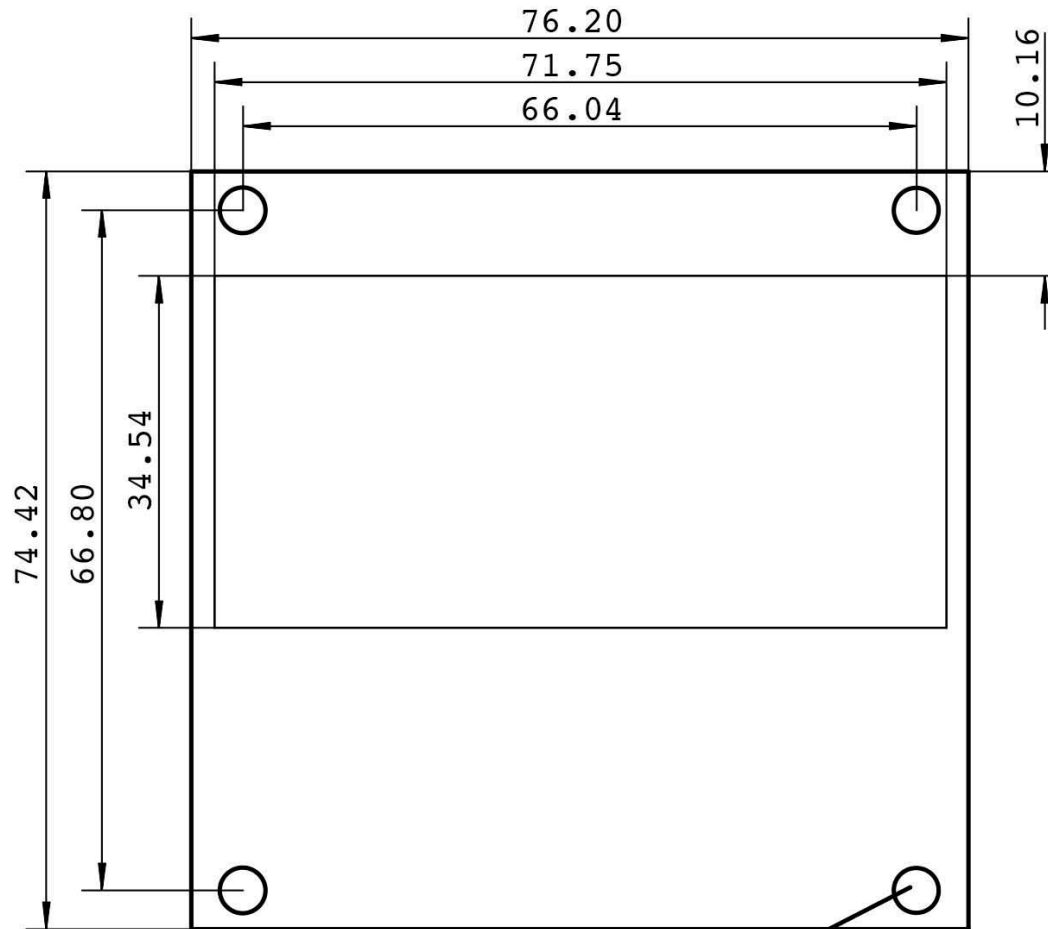
| SW # | # | Texte | Description |
|------|---|---------|---|
| S1 | 1 | VER/HOR | ON -> Characters are displayed vertically. A maximum of two characters can be displayed. OFF -> Characters are displayed horizontally. |
| | 2 | TRA | ON -> Transition mode is active. |
| | 3 | FM | ON -> Blank the display in fire mode. |
| | 4 | BIN | ON -> Inputs are in binary mode. OFF -> Inputs are in one wire mode. |

S1220 – CANBus mini position indicator




- Supply must be between 16VDC to 30VDC.
- The switch S1 must be set ON only on the end of the line position indicator.
- Switch setting :

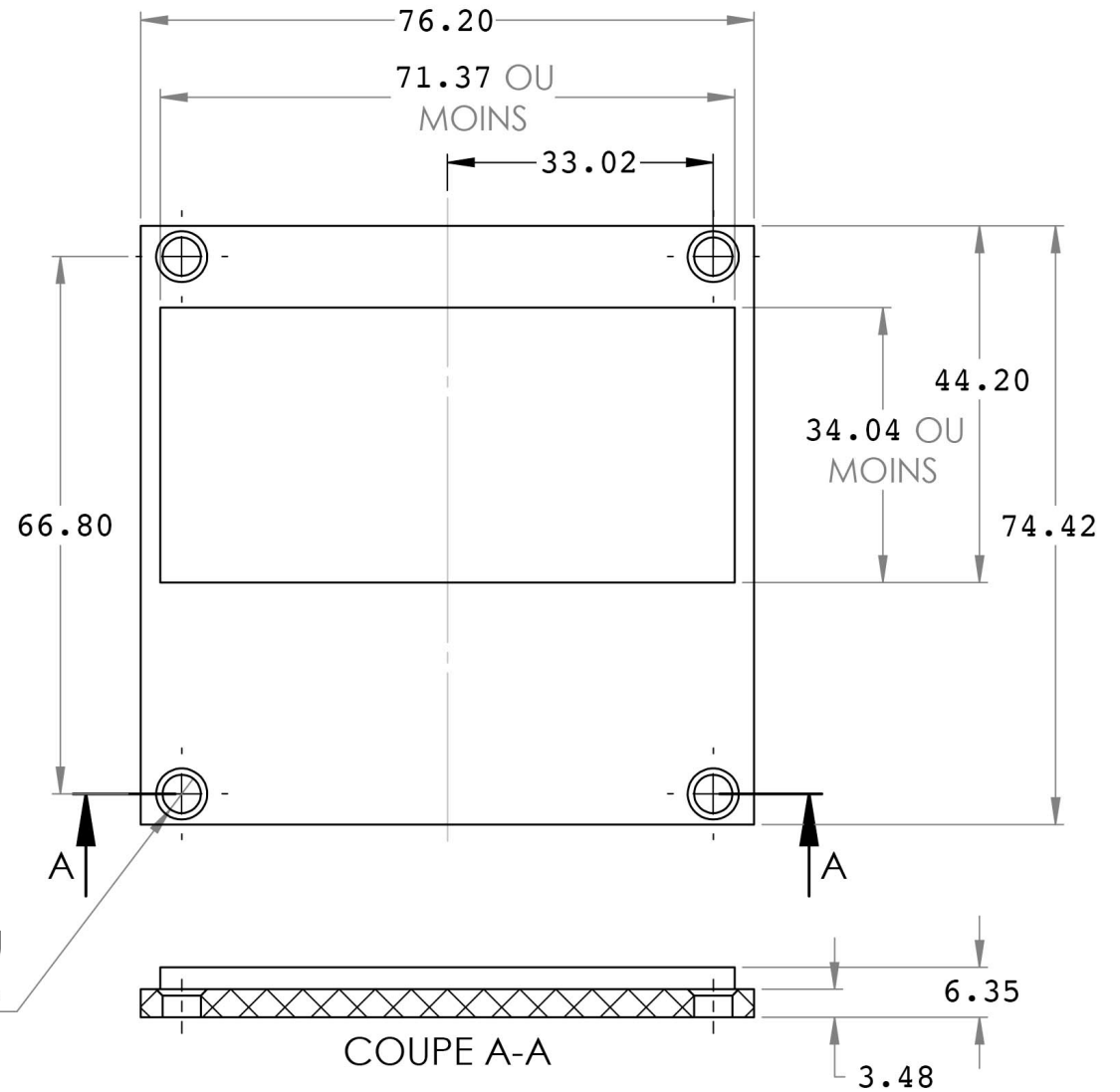
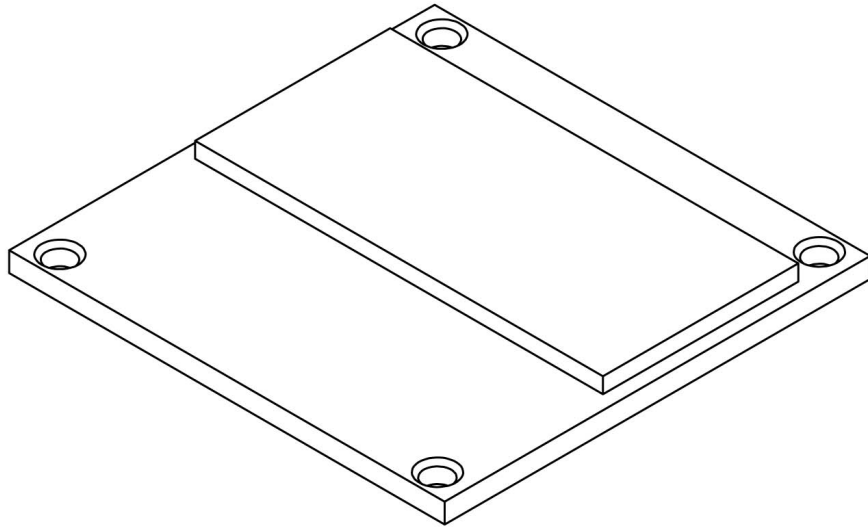
| SW # | # | Text | Description | | |
|------|---|---------|---|---------|---------|
| | 1 | TRA | ON -> Transition mode is active. | | |
| | 2 | MB | | | |
| | 3 | FA | ON -> Blank the display in fire alternate mode. | | |
| | 4 | FM | ON -> Blank the display in fire mode. | | |
| SW # | 5 | VER/HOR | ON -> Characters are displayed vertically. A maximum of two characters can be displayed. OFF -> Characters are displayed horizontally. | | |
| | 6 | COMM | CanBus Vidatech | CAN JRT | CAN GAL |
| | 7 | | | ● | |
| | 8 | | | | ● |
| | | | | | |



#6-32 STUD

Board thickness: 25.3 (including lens)

| | | | | |
|---|---|-----------|------------|------------------|
|  | Title: Face plate cutout detail Spark mini PI 1.2" | | Unit: MM | |
| | Tolerance: | Material: | Finish: | |
| | | Scale: | No. piece: | Date: 2021-10-01 |
| | Angular: | Rev: 5 | Name: C.L | Page: 1/1 |



$\varnothing 19.05$ THRU
 $\surd \varnothing 6.35$

| | | | | |
|--|-----------------------------|-------------------|------------------|------------------|
| | Title: Lens for screen 1.2" | | Unit: MM | |
| | Tolerance: .xxx +/- .010" | Material: Acrylic | Finish: Clear | |
| | | Scale: | No. piece: A1200 | Date: 2021-10-01 |
| | Angular: | Rev: 5 | Name: C.L | Page: 1/1 |