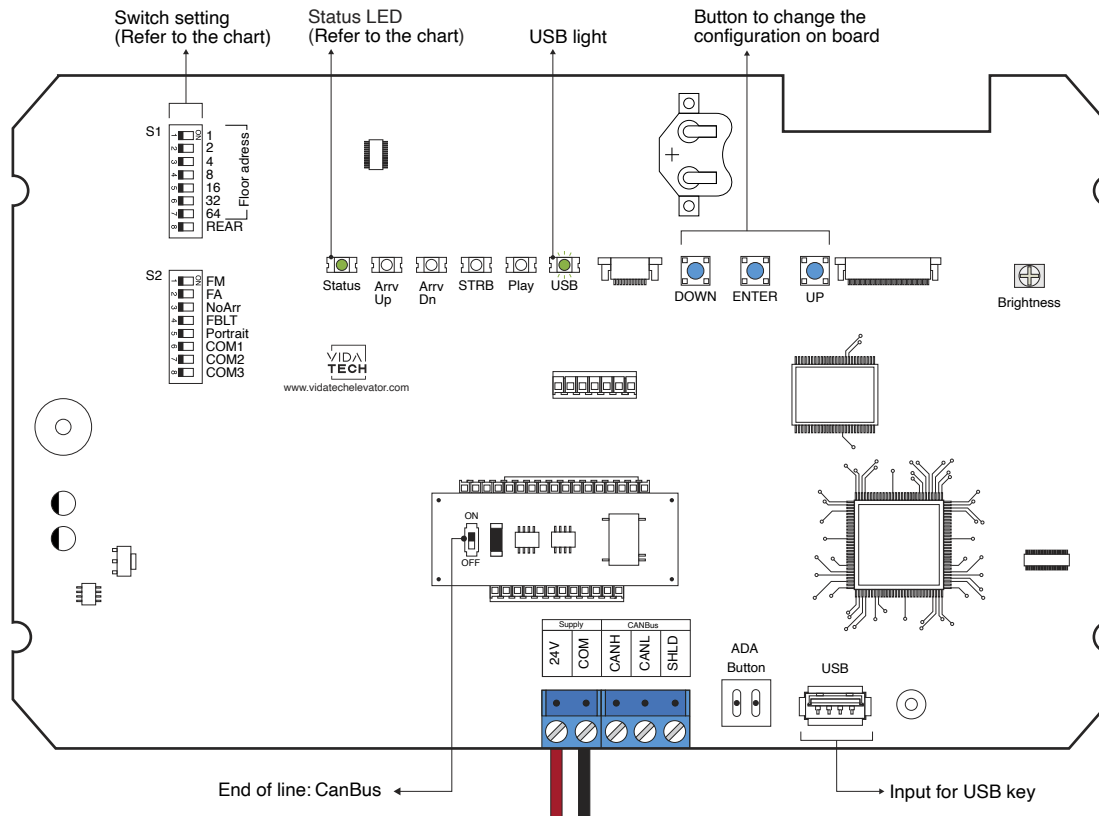


F1020 – CANBus 10” LCD indicator

Installation manual



- Supply must be between 16VDC to 30VDC.
- Must be installed in COP
- Brightness of the LCD is controlled by “brightness” potentiometer.
- Press “ENTER” to go the main menu of the LCD, then navigate with “UP/DOWN” switches. Refer to F7022 operation manual on our website.
- Status LED :

Status LED	Description
Steady	No communication
Slow Blink	System error
Fast Blink	Communication active with no error

