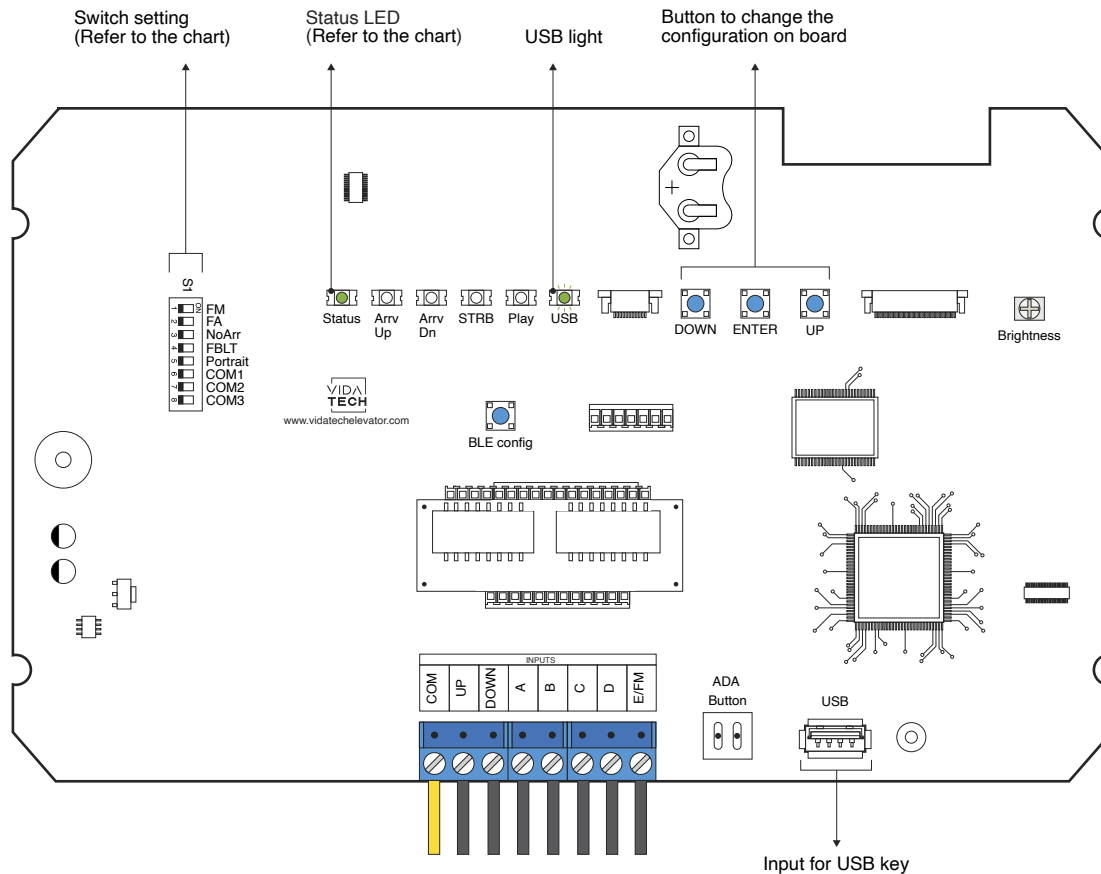


F1000 – Binary 10” LCD indicator

Installation manual



- Supply must be between 16VDC to 30VDC.
- VCI and Visual files must be placed on the root of a USB dongle, then connected to a powered indicator until the USB light stops blinking.
- Must be installed in COP or hall fixtures.
- To get the actual configuration of the indicator, connect a void USB dongle, then the configuration will upload into the dongle.
- You can modify the stair digit displayed by the indicator by modifying the .vci file with the Storm software, available on our website.
- You can modify the visual configuration with the Storm software available on our website.

- To change the configuration of the indicator on board :
 1. Press “ ENTER ” button to go to the main menu.
 2. Then choose “ Edit stair digits ” and press “ ENTER ”.
 3. Press “ UP/DOWN ” to select the floor to modify (1 to 127).
 4. Press “ ENTER ” to select to confirm the floor to modify.
 5. Press “ UP/DOWN ” to select the right character to display.
 6. Press “ ENTER ” to confirm the new character.
 7. Repeat the two previous step for the second and third character. Once completed, the indicator will return to main menu.

- Status LED :

Status LED	Description
Steady	System ok
Slow Blink	System error

- Switch setting :

SW #	#	Text	Description		
S1	1	FM	ON -> Blank the display in fire mode		
	3	NoArr	ON -> Blank the arrow		
	4	FBLT	ON -> 100% backlight intensity OFF -> 80% backlight intensity (Backlight life enhanced)		
	5	Portrait	ON -> Portrait mode (If existing within the config)		
	Input type		Binary	One wire	Gray code
	6	COM1		●	
	7	COM2			●
	8	COM3			