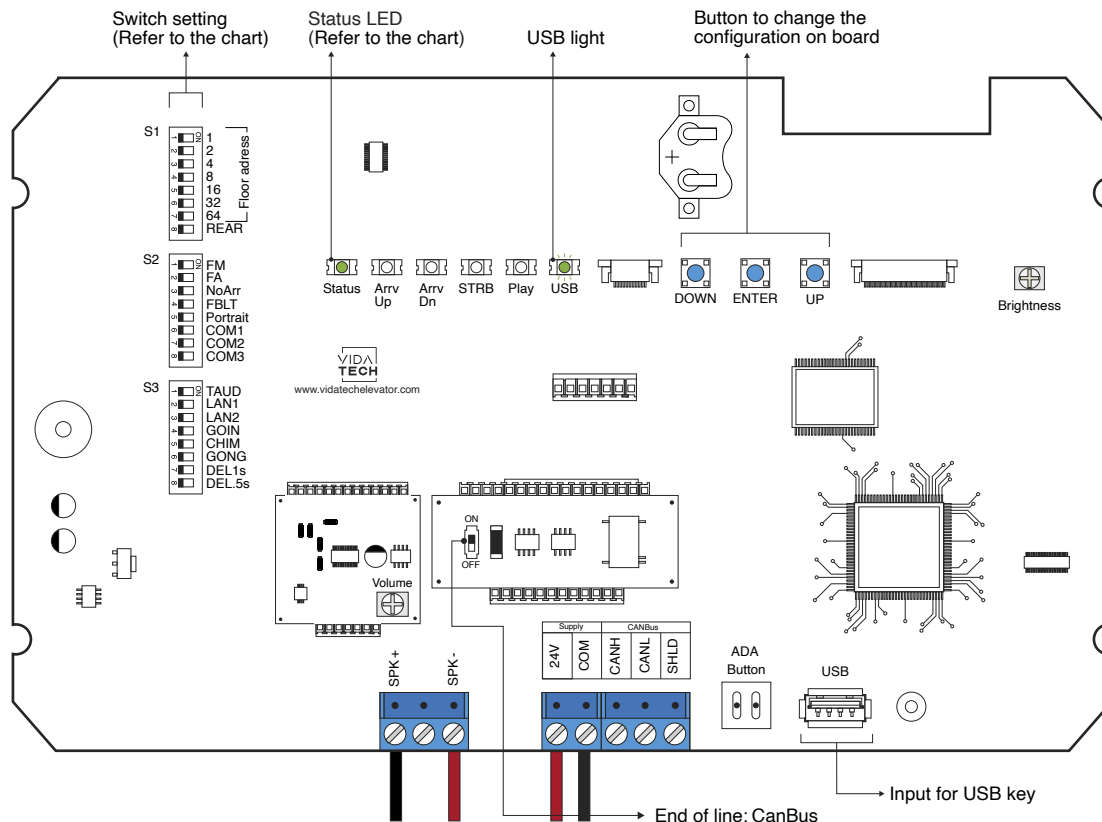


F1022 – CANBus 10” LCD indicator with voice

Installation manual



- Supply must be between 16VDC to 30VDC.
- Speaker must be 4Ω to 45Ω, 5Watts minimum.
- Up to 12 minutes 38 seconds of message time.
- Speaker wire length must be less than 500 feet to prevent noise.
- .via files are for audio configuration. Only one .via file must be present on the USB dongle.
- .via and visual files must be placed on the root of a USB dongle, then connected to a powered voice until the USB light stops blinking.
- Must be installed in COP.
- Brightness of the LCD is controlled by “brightness” potentiometer.
- Volume of the voice annunciator is controlled by “volume” potentiometer.
- Press “ENTER” to go to the main menu of the LCD, then navigate with “UP/DOWN” switches. Refer to F7022 operation manual on our website.

This screen manages special messages

▪ Status LED :

Status LED	Description
Steady	No communication
Slow Blink	System error
Fast Blink	Communication active with no error

▪ Switch setting :

SW #	#	Text	Description																																				
S1	Floor Address		0	1	2	3	4	5	6	7	8	9	10	11	12	13	14	15	16	17	18	19	20	21	22	23	24	25	26	27	28	29	30	31	32				
	1	1		•		•		•		•		•		•		•		•		•		•		•		•		•		•		•		•		•			
	2	2			•	•			•	•			•	•			•	•			•	•			•	•			•	•			•	•					
	3	4					•	•	•	•					•	•	•	•							•	•	•	•			•	•	•	•					
	4	8									•	•	•	•	•	•	•	•										•	•	•	•	•	•	•	•	•			
	5	16																																					
	6	32																																				•	
	7	64																																					
	8	REAR	ON -> Installed on the rear																																				
S2	1	FM	ON -> Blank the display in fire mode																																				
	2	FA	ON -> Blank the display in fire alternate mode																																				
	3	NoArr	ON -> Blank the arrow																																				
	4	FBLT	ON -> 100% backlight intensity OFF -> 80% backlight intensity (Backlight life enhanced)																																				
	5	Portrait	ON -> Portrait mode (If existing within the config) OFF -> Landscape mode (If existing within the config)																																				
		Communication	CAN Vidatech	CAN JRT				CAN GAL				CAN elevator controls				CAN TKE				CAN Smartrise																			
	6	COM1					•																														•		
	7	COM2																																					•
8	COM3																																					•	
S3	1	TAUD	ON -> Play all audio file saved in memory																																				
	2	GOING	ON -> Going Up/Dn active																																				
	3	CHIM	ON -> Passing Chime active																																				
	4	GONG	ON -> Cabin gong active																																				
		Language	French				English				1 - French 2 - English				1 - English 2 - French																								
	5	LAN1																																				•	
	6	LAN2																																					•
	7	DEL1	ON -> Add 1 second of silence after the strobe																																				
8	DEL5	ON -> Add 0.5 second of silence after the strobe																																					

- **Play Test option (TAUD):** The device will play each voice file saved in the system in loop and will display the ASCII associated with the file playing.
- **Going Option (GOING):** The voice will play the file associated with the type “Going UP” or “Going Down” when STRB is asserted and TRV UP or TRV DN.
- **Chime Option (CHIM):** The voice will play the file associated with the type “CHIME” each time the stair are changing.
- **Gong Option (GONG):** The voice will play the file associated with the type “Gong UP” or “Gong Down” when ARR DN or ARR UP are asserted.