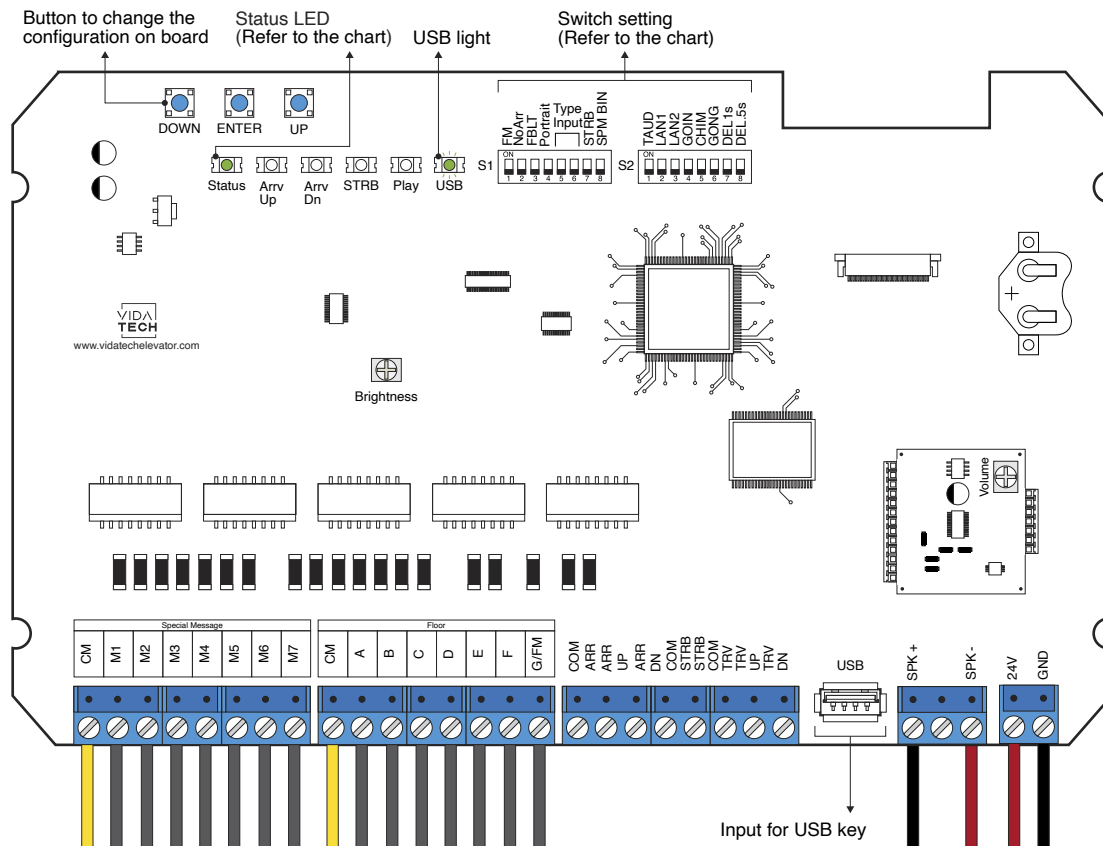


F1012 – Binary 10” LCD indicator with voice

Installation manual



- Supply must be between 16VDC to 30VDC.
- Speaker must be 4Ω to 45Ω, 5Watts minimum.
- Up to 12 minutes 38 seconds of message time.
- Speaker wire length must be less than 500 feet to prevent noise.
- .via files are for audio configuration. Only one .via file must be present on the USB dongle.
- VCI, VIA and Visual files must be placed on the root of a USB dongle, then connected to a powered indicator until the USB light stops blinking.
- Volume of the voice annunciator is controlled by “volume” potentiometer.
- Brightness of the LCD is controlled by “brightness” potentiometer.
- Must be installed in COP or hall fixtures.
- To get the actual configuration of the indicator, connect a void USB dongle, then the configuration will upload into the dongle.

This screen manages special messages

- You can modify the stair digit displayed by the indicator by modifying the .vci file with the Storm software, available on our website.
- You can modify the visual configuration with the Storm software available on our website.
- To change the configuration of the indicator on board :
 1. Press “ENTER” button to go to the main menu.
 2. Then choose “Edit stair digits” and press “ENTER”.
 3. Press “UP/DOWN” to select the floor to modify (1 to 127).
 4. Press “ENTER” to select to confirm the floor to modify.
 5. Press “UP/DOWN” to select the right character to display.
 6. Press “ENTER” to confirm the new character.
 7. Repeat the two previous step for the second and third character. Once completed, the indicator will return to main menu.

• Status LED :

Status LED	Description
Steady	System ok
Slow Blink	System error

• Switch setting :

SW #	#	Text	Description			
S1	1	FM	ON -> Blank the display in fire mode			
	2	NoArr	ON -> Blank the arrow			
	3	FBLT	ON -> 100% backlight intensity OFF -> 80% backlight intensity (Backlight life enhanced)			
	4	Portrait	ON -> Portrait mode (If existing within the config)			
			Binary	1 Wire/Floor	Gray Code	N/A
	5	Input		●		●
	6				●	●
	7	STRB	ON -> Strobe active Low OFF -> Strobe active High			
8	SPM BIN	ON -> Binary OFF -> 1 wire per message				
S2	1	TAUD	ON -> Play all audio file saved in memory			
	2	GOING	ON -> Going Up/Dn active			
	3	CHIM	ON -> Passing Chime active			
	4	GONG	ON -> Cabin gong active			
		Language	French	English	1 - French 2 - English	1 - English 2 - French
	5	LAN1		●		●
	6	LAN2			●	●
	7	DEL1	ON -> Add 0.5 second of silence after the strobe			
8	DEL.5	ON -> Add 1 second of silence after the strobe				