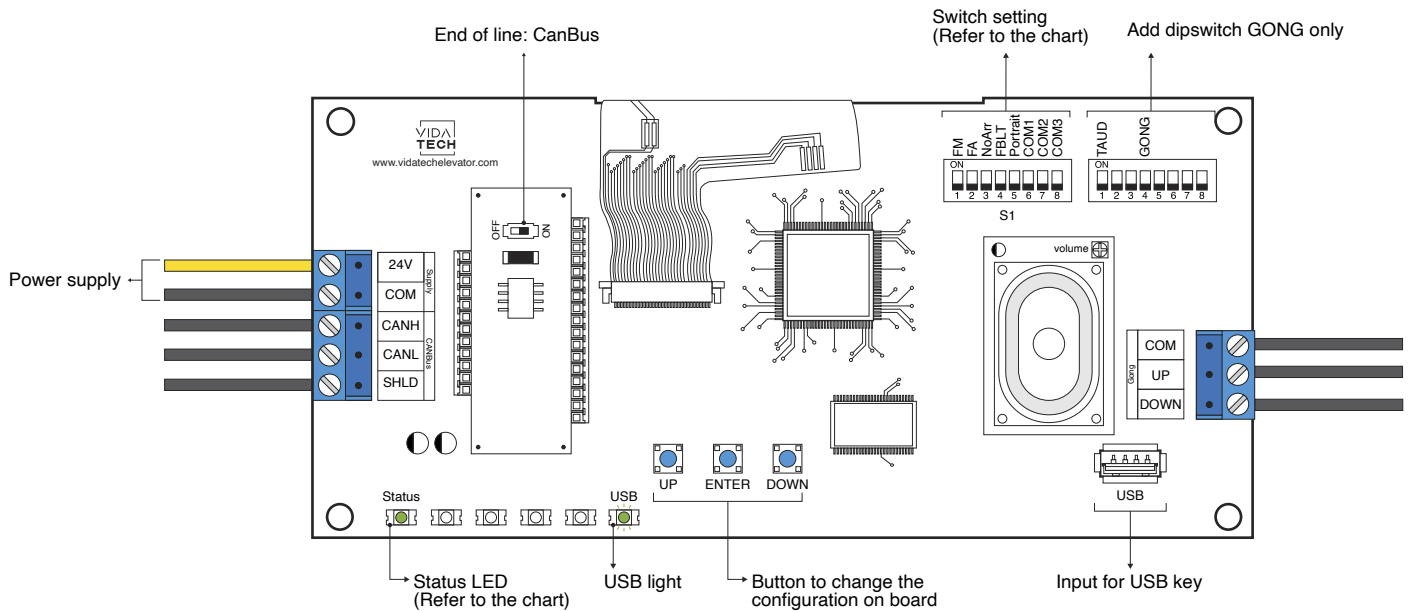


# F4321 – CANBus 4.3” LCD indicator with gong

## Installation manual



- Supply must be between 16VDC to 30VDC.
- Must be installed at landings.
- Press “ENTER” to go the main menu of the LCD, then navigate with “UP/DOWN” switches. Refer to the operation manual on our website.

### IMPORTANT

- 1.Navigate to the “Floor Address” menu and select the address of the floor where the indicator is installed.
- 2.Activate GONG dipswitch to hear the gong when the elevator reaches the floor.
- 3.If you have external arrival arrows, then you need to activate the NOARR dipswitch to remove the Red/Green arrow from the LCD screen.

\*This screen manages special messages\*

▪ Status LED :

Status LED	Description
Steady	No communication
Slow Blink	System error
Fast Blink	Communication active with no error

▪ Switch setting :

SW #	#	Text	Description					
S1	1	FM	ON -> Blank the display in fire mode					
	2	FA	ON -> Blank the display in fire alternate mode					
	3	NoArr	ON -> Blank the arrow (Red/Green)					
	4	FBLT	ON -> 100% backlight intensity OFF -> 80% backlight intensity (Backlight life enhanced)					
	5	Portrait	ON -> Portrait mode (If existing within the config)					
	Communication		CAN Vidatech	CAN JRT	CAN GAL	CAN elevator controls	CAN TKE	CAN Smartrise
	6	COM1		●		●		●
	7	COM2			●	●		
	8	COM3					●	●
S2	1	TAUD	ON -> Play all audio file saved in memory					
	4	GONG	ON -> Cabin gong active					